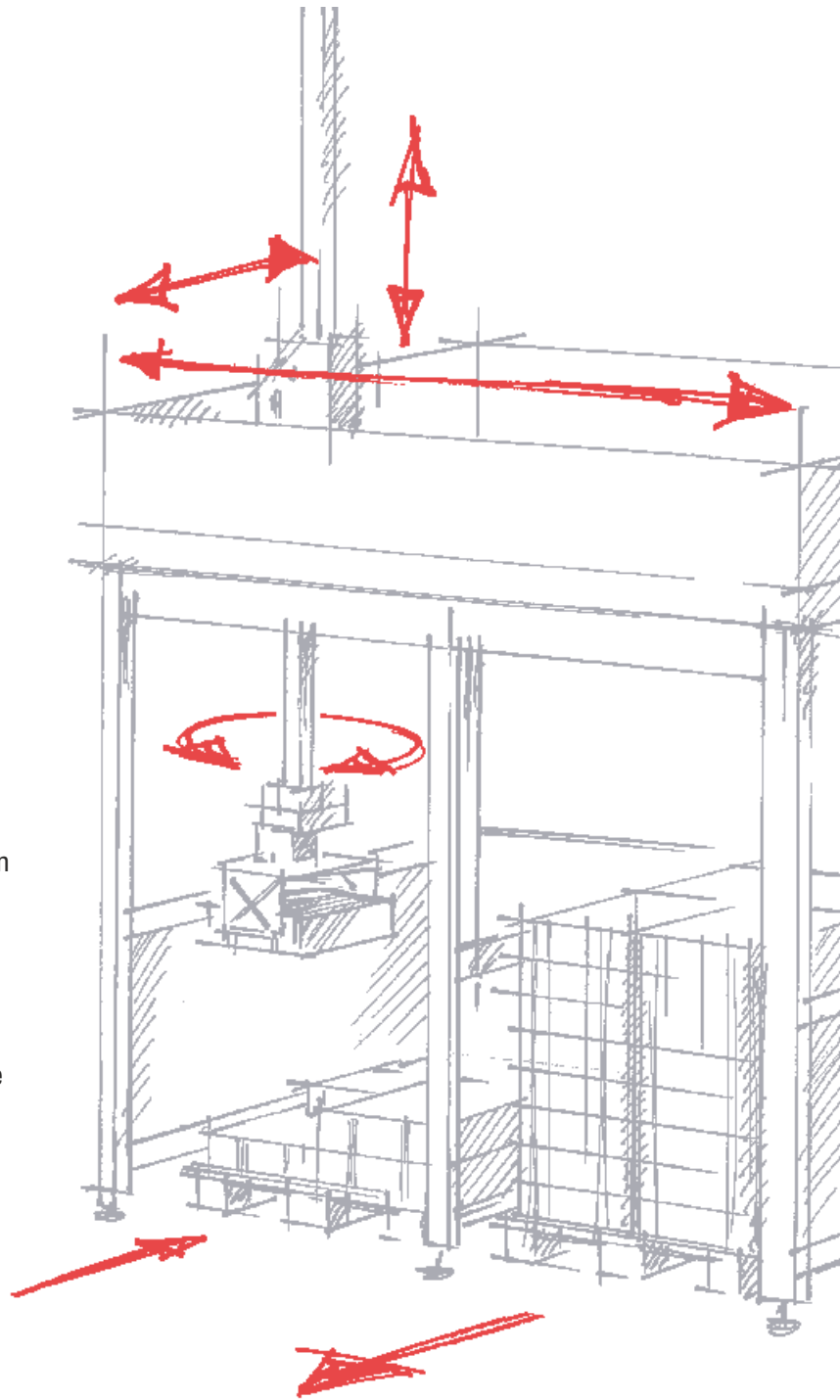


Palletizing system  
***EURO-Line***

**FLG**  
AUTOMATION

- ✓ Efficient feeding and direct buffering of ISO/EURO pallets
- ✓ Pallet change without production downtimes
- ✓ Able to accommodate multiple pallet space 1-4 pallet spaces
- ✓ Ultimate load up to 75 kg
- ✓ High autonomy and availability
- ✓ Integrated workpiece loading/unloading
- ✓ Maintenance-free and user-friendly
- ✓ Individual configuration due to modular design
- ✓ Robust and compact design
- ✓ Clean room and ESD versiona
- ✓ Ideal for medical, pharmaceutical, automotive electronic and consumer good products



## The system

EURO-Line is ideal for the depalletizing and palletizing of trays, containers and KLTs that are supplied on pallets, and autonomously depalletizes transport containers on the pallet. Robust pallet feeding aids and a pneumatically driven pile alignment ensure a fast and smooth pallet change. The transport of the trays from the individual pallet spaces to the workpiece loading/unloading position is executed by a portal gantry system with a gripper system that is specially adapted to the respective transport container. The autonomous loading/unloading, even in the event of a pallet change, ensures the nonstop handling of the products/modules with continued precision and reliability. Thanks to its modular and compact design, the EURO-Line can be operated on a minimum of floor space and easily adapted to accommodate a wide range of pallet formats and transport container.



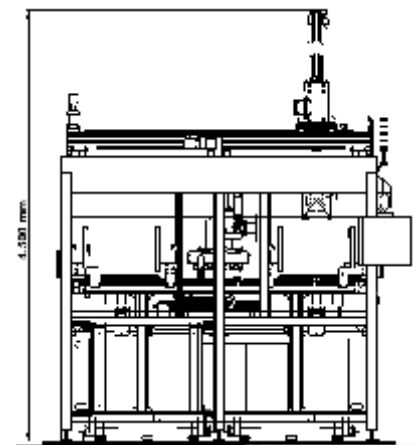
## Optional modules

### Hardware

- Handling module: Integrated workpiece loading/unloading
- Safety module: Integrated collision protection for portal gantry
- Active pile module: Active pneumatic pile alignment
- Pallet space module: Supplementary 4th pallet space
- Roller shutter module: High-speed door for pallet loading
- Telescopic module: Portal Z axis, telescopic version for lower room heights
- Clean room or ESD version

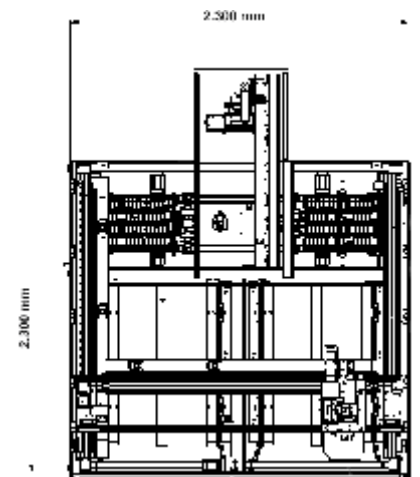
### Software

- Diagnostic and BDE module
- Tray configurator
- Pack scheme generator



## Technical data

Dimensions	2,300 x 2,300 x 4,500 mm
Pallet types:	800 x 1,200 mm, 1,000 x 1,200 mm, special formats
Tray types:	Deep-drawn trays and customized trays, KLT, cartons, canisters, etc.
Ultimate load of portal:	Max. 75 kg
Tray stacking height:	Max. 1,800 mm
Handling cycle time:	> 2 sec, reduction through use of multiple grippers
Pallet feed:	Lift truck or stacker
Drive technology:	NC axes, servo-electric
Control:	PC control, Simatic S7-300, Tia-Portal
Interfaces:	MPI, Profibus, Ethernet, digital I/O



## FLG Automation AG

Max-Planck-Straße 5-7  
D-61184 Karben

Phone: +49 6039 9240 0

Fax: +49 6039 9240 01

E-Mail: [info@flg.de](mailto:info@flg.de)

[www.flg.de](http://www.flg.de)