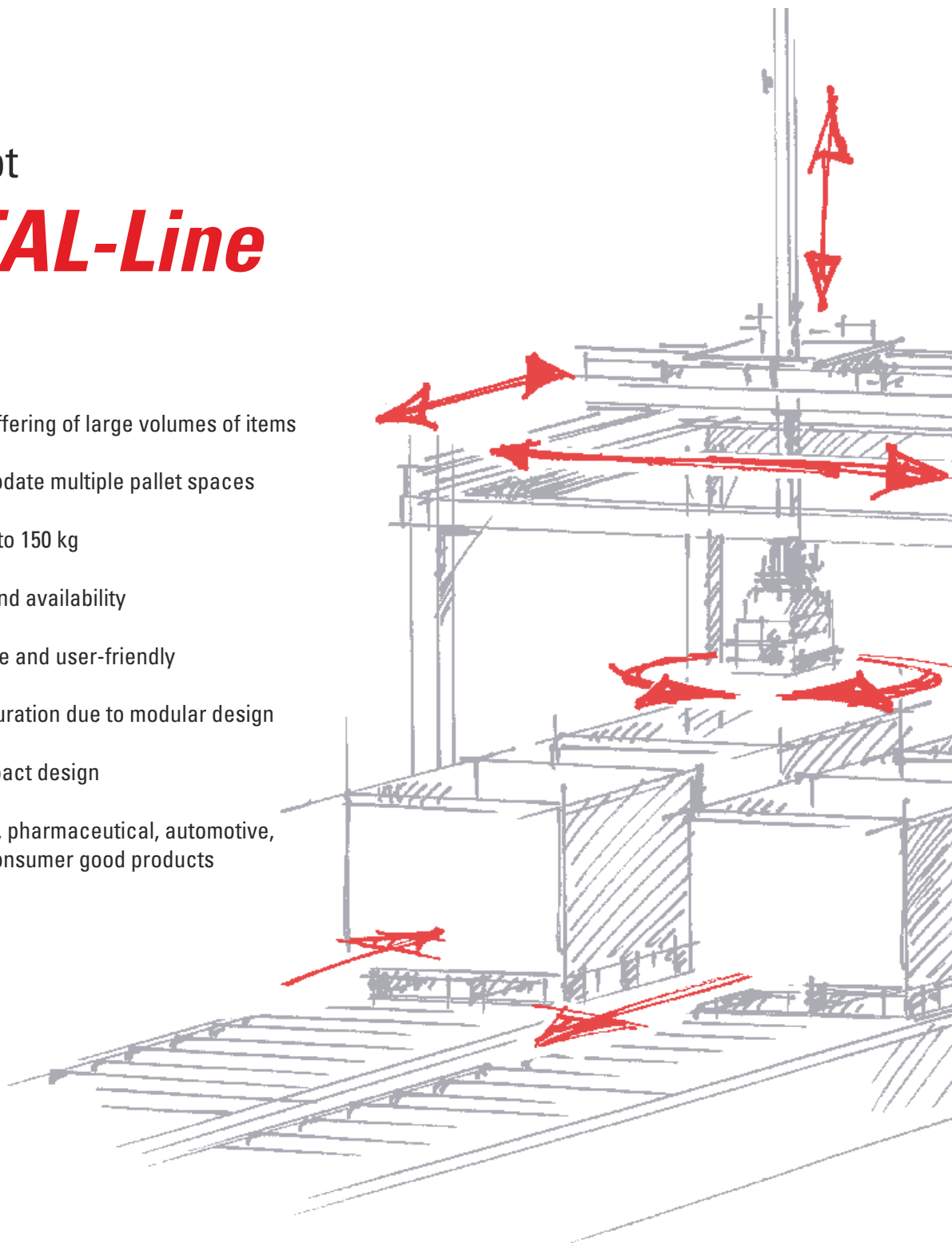


Portal robot

PORTAL-Line

- ✓ Provision and buffering of large volumes of items
- ✓ Able to accommodate multiple pallet spaces
- ✓ Ultimate load up to 150 kg
- ✓ High autonomy and availability
- ✓ Maintenance-free and user-friendly
- ✓ Individual configuration due to modular design
- ✓ Robust and compact design
- ✓ Ideal for medical, pharmaceutical, automotive, electronic and consumer good products



The system

PORTAL Line is the flexible and standardized portal robot that is able to handle heavy weights at high speed and still ensure exact positioning. Through the use of belt-driven portal axes, PORTAL Line ensures the dynamic, reliable and precise handling of products, even at an ultimate load of 150 kg. The portal robot is also able to handle large travel areas of 2 or more pallet spaces without any problems. Furthermore, use of the respective pallet conveyor technology ensures a continuous and smooth material flow and optimum connection to production. Used in combination with the optionally available three-part telescopic Z axes, the PORTAL Line is the perfect solution for low room heights and an additional fourth axis of rotation can be added to enable the processing of packing items with different orientations.

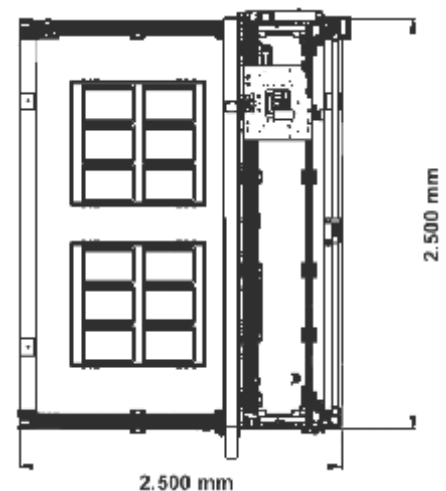
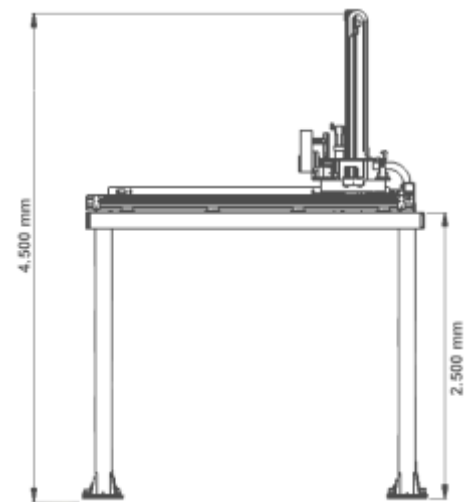
Optional modules

Hardware

- Handling module: Integrated workpiece loading/unloading
- Safety module: Integrated collision protection for portal gantry
- Active pile module: Active pneumatic pile alignment
- Pallet memory module: Provision of empty pallets over a pallet magazine
- Axis of rotation module: Additional axis of rotation for packing items of different orientations
- Telescopic module: Portal Z axis, telescopic version for lower room heights

Software

- Diagnostic and BDE module
- Packing template generator



Technical data

Dimensions (L x W x H):	from 2,500 x 2,500 x 4,500 mm (2 pallet spaces with feed)
Pallet types:	800 x 1,200 mm, 1,000 x 1,200 mm, special formats
Packaging types:	Deep-drawn and customized trays, KLT, cartons, canisters, barrels, etc.
No. of pallet spaces:	2– 6 pallet loading/unloading spaces
Ultimate load:	Max. 150 kg
Lift, vertical axis:	Max. 2,000 mm
Pallet feed:	Rolling surface, lift truck or stacker
Plant capacity:	> 300 packing items / h
Drive technology:	NC axes, servo-electric
Control:	PC control, Simatic S7-300, Tia-Portal
Interfaces:	MPI, Profibus, Ethernet, digital I/O

FLG Automation AG

Max-Planck-Straße 5-7
D-61184 Karben

Telefon: +49 6039 9240 0

Fax: +49 6039 9240 01

E-Mail: info@flg.de

www.flg.de